

## FAZ-NA-L 240 Vac Miniature circuit breakers



# An application-specific and cost-effective solution for 240 Vac systems



Eaton's reliable UL® 489 FAZ-NA-L 240 Vac circuit breakers are designed to provide you cost savings and ease of installation in branch circuit protection applications. With an advanced design, the FAZ-NA-L 240 Vac offering increases your flexibility, while also providing your installation an aesthetically pleasing and finished look. The FAZ-NA-L 240 Vac leverages the same form and fit as the existing family of UL 489 FAZ-NA circuit breakers, making it compatible with the same accessories.

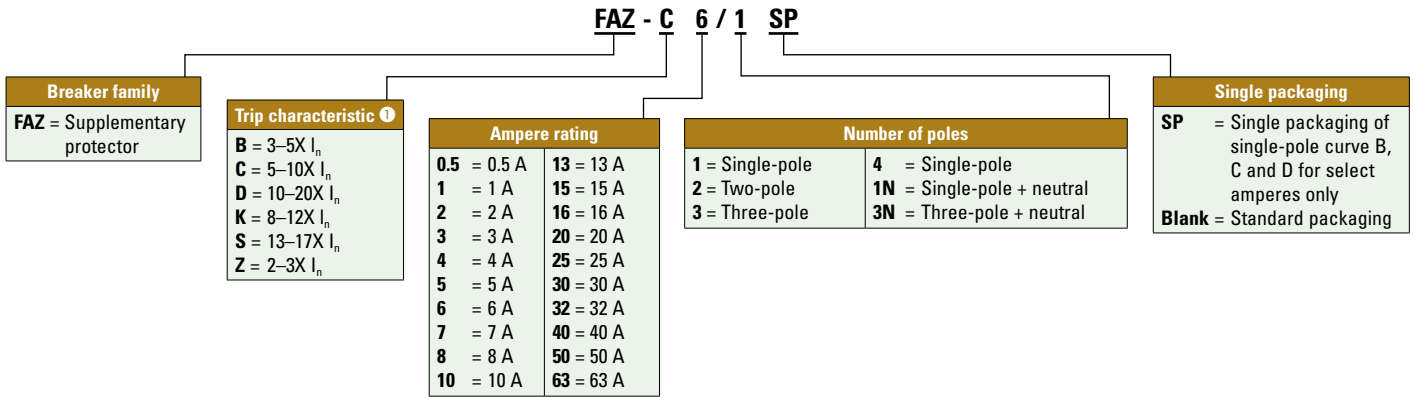
### Features

- Complete line of DIN rail mounted miniature circuit breakers
  - UL 489 for branch circuit device protection
  - UL 1077 for supplementary protection
- Globally rated UL and IEC circuit breakers designed to help you achieve standardization
  - UL 489 breakers meet CSA® C22.2 No. 5 and IEC 60947-2
  - UL 1077 supplementary protectors fulfill CSA C22.2 No. 235 and IEC 60947-2
- Current-limiting design provides fast short-circuit interruption, reducing the let-through energy that can damage the circuit
- Compact design provides space savings in the panel
- Robust design has been endurance tested for more than 20,000 operations for the UL 489 breakers, and more than 10,000 operations for the UL 1077 breakers
- Calibrated at 40 °C for maximum performance
- Added flexibility with terminals capable of accepting up to two wires
- Additional options for ring-tongue connection—separate version available (Type FAZ-RT or FAZ-RTL)
- Complete line of accessories such as bus bar, lock-offs, shunt trips and auxiliary contacts

# EATON

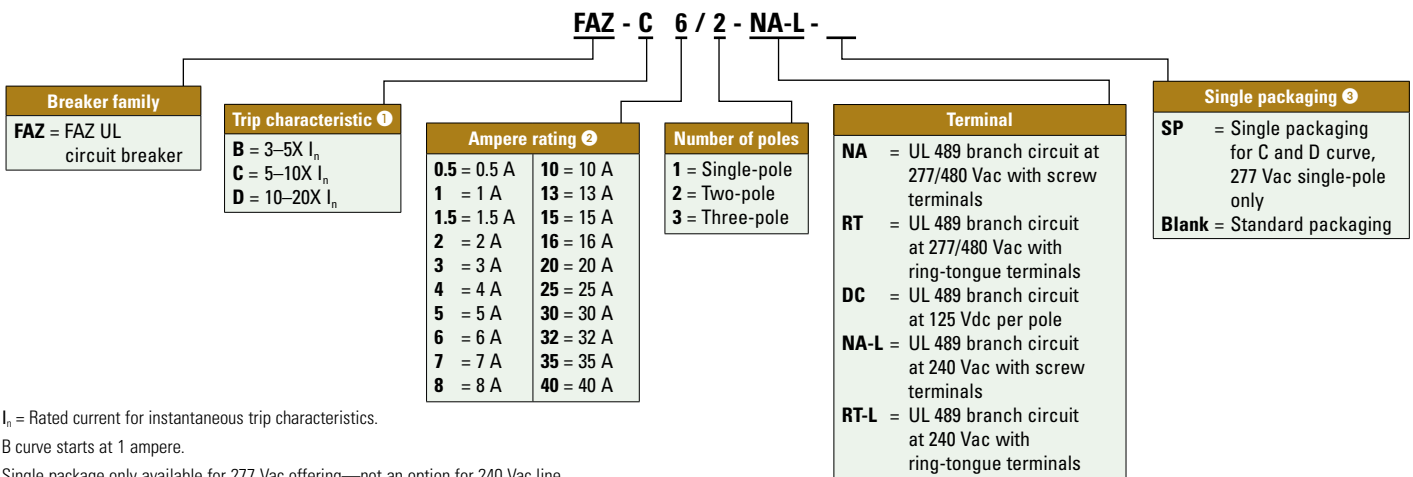
Powering Business Worldwide

## FAZ UL 1077 miniature circuit breaker catalog numbering selection



①  $I_n$  = Rated current for instantaneous trip characteristics.

## FAZ-NA and FAZ-NA-L UL 489 miniature circuit breaker catalog numbering selection



①  $I_n$  = Rated current for instantaneous trip characteristics.

② B curve starts at 1 ampere.

③ Single package only available for 277 Vac offering—not an option for 240 Vac line.

## Overview chart

Voltage	Curve characteristics	Ampereage	Number of poles	Current interrupting rating
<b>UL 489 branch circuit device protector</b>				
240 Vac	B	1–40 A	1–3	10 kA: B curve (1–13 A and 30–40 A) C curve (0.5–13 A and 30–40 A) D curve (0.5–10 A, 25–40 A)
	C	0.5–40 A	1–3	
	D	0.5–40 A	1–3	
277/480 Vac	B	1–32 A	1–3	14 kA at select amperages: B curve and C curve (15–25 A) D curve (13–20 A)
	C	0.5–32 A	1–3	
	D	0.5–32 A	1–3	
125 Vdc per pole	C	2–40 A	1 and 2	10 kA
<b>UL 1077 supplementary protector</b>				
277/480 Vac	B	1–63 A	1–4, 1 + N, and 3 + N	10 kA (5 kA for 40–63 A)
	C	0.5–63 A	1–4, 1 + N, and 3 + N	10 kA (5 kA for 40–63 A)
	D	0.5–63 A	1–4, 1 + N, and 3 + N	5 kA
	K	0.5–63 A	1–4, 1 + N, and 3 + N	5 kA
	S	1–40 A	1 and 2	5 kA
	Z	0.5–63 A	1–4	5 kA

**Eaton**  
 1000 Eaton Boulevard  
 Cleveland, OH 44122  
 United States  
 Eaton.com

© 2017 Eaton  
 All Rights Reserved  
 Printed in USA  
 Publication No. PA011007EN / Z19680  
 June 2017

Eaton is a registered trademark.

All other trademarks are property of their respective owners.

Follow us on social media to get the latest product and support information.

